

STAINLESS STEEL EXPANSION JOINT

J B F



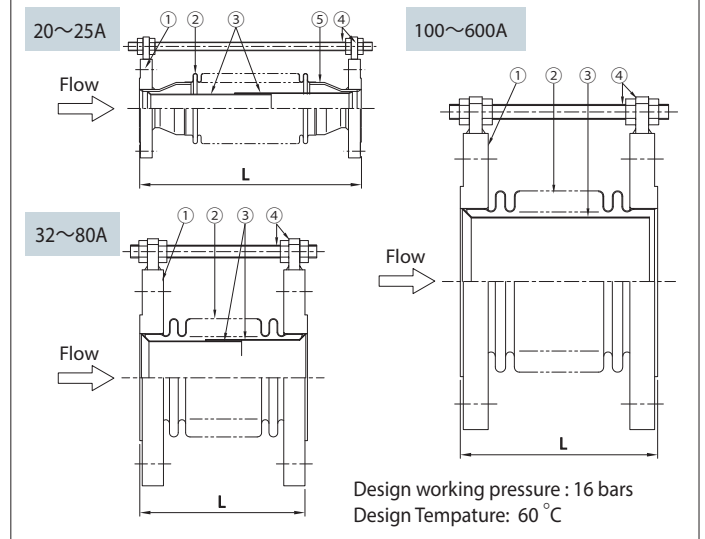
Feature

Application: Water
 Max.Working Temperature : 100°C
 Max.Working Pressure : 1.6 [MPa]

Structure

No.	Parts	Material
①	Flange	SS400 , SUS304
②	Bellow	SUS304
③	Sleeve	SUS304
④	Shipping Rod	SS400 , SUS304
⑤	Reducer	SS400

Structure



Dimensions and Allowable Movements

Size [A]	OAL	Axial Movement [+ OR -]	Axial Spring Rate [N/mm]	Eff.Cross Section Area [cm ²]
20	220	15	84.9	25.2
25	220	15	84.9	25.2
32	120	15	84.9	25.2
40	150	15	91.4	25.7
50	150	15	77.7	45.2
65	150	20	99.9	56.4
80	150	20	99.6	63.5
100	200	20	134.6	128.7
125	200	20	134.4	191.0
150	200	20	144.6	265.7
200	250	20	223.1	431.9
250	250	20	301.9	635.7
300	250	20	525.5	893.3
350	250	20	419.7	1134.1
400	300	20	490.7	1457.3
450	300	20	500.2	1870.4
500	300	20	566.8	2279.6
600	300	20	763.2	3285.7
BELLOWS-2PLY				
250	250	20	250.8	635.7
300	250	20	271.3	896.4
350	250	20	248.9	1129.4
400	300	20	253.2	1451.5
450	300	20	332.3	1866.5
500	300	20	367.2	2277.5
600	300	20	440.0	3211.0

Note:

1. Other specifications are also available, please consult with us.
2. Design and specifications are subject to change without prior notice.

Note: The content of this catalog is subject to change without prior notice.

AGENT

TOZEN Corporation

8-4, Asahi, Yoshikawa
 Saitama 342-0008 Japan

WE42-1605

